



PUN1007. Rebar punctual anchor.

It is a punctual anchoring system, made of stainless steel A2/Duplex rebar, of varying sizes. Recommended for any kind of wall, the connection is made by resin or cement mortar. Simple and efficient installation.

The most versatile, valid for any kind of facade configuration, it is completely hidden. Highly recommended for both horizontal and vertical joint.

The following table indicates the load values for the most requested products of the series.

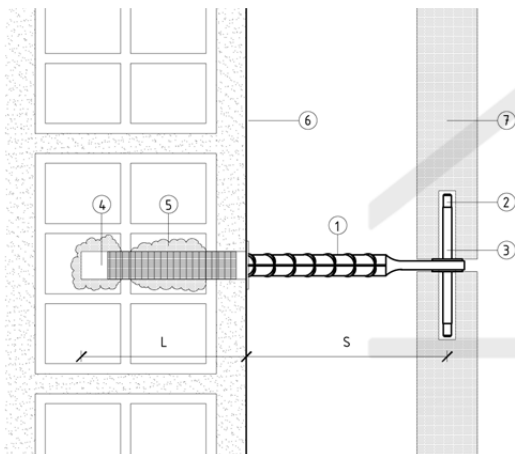
For any question please contact our technical department in

letstalk@perfilstoneinnova.com

Allowables load values (kN) according to anchor dimensions and position.

DIAMETER(mm)	LENGTH(mm)	EMBEDMENT(mm)	OVERHANG(mm)	LOAD (kN)
6	100	70	30	0,27
6	120	80	40	0,27
8	120	80	40	0,64
8	150	80	70	0,42
8	180	80	100	0,15
10	130	90	40	0,91
10	150	80	70	0,71
10	180	80	100	0,36
10	200	80	120	0,21
12	180	80	100	0,71
12	200	80	120	0,43
12	250	90	160	0,19

REF: PUN1007



Load values are in kN for maximum deformation of 1,4 mm.

These values relate exclusively to the flexural strength of this system made of stainless steel A2/A4.

The values assume a correct fixation of the system to the wall, so it must be the right for each system. However, it is recommended a test on site.

Both manufacturing and testing are carried out according UNE 41957/1:2000

1. Rebar punctual anchor
2. Pin
3. Nylon bushing
4. Nylon sieve
5. Resin/mortar
6. Wall
7. Cladding