



REG1101R. Adjustable bow anchor for grooved stone.

It is a punctual anchoring system, made of stainless steel A2/A4, which connecting element with the cladding is a threaded rod, also made of stainless steel A2/A4.

Recommended for any kind of support, it helps to solve irregularities on it.

Simple and efficient installation.

Adjustable in all three axes.

Highly recommended for horizontal joint in grooved stone.

Recommended for facade configurations with continuous or broken joint patterns.

The bow size adapts to chamber size and the adjustable element makes possible perfect finishes.

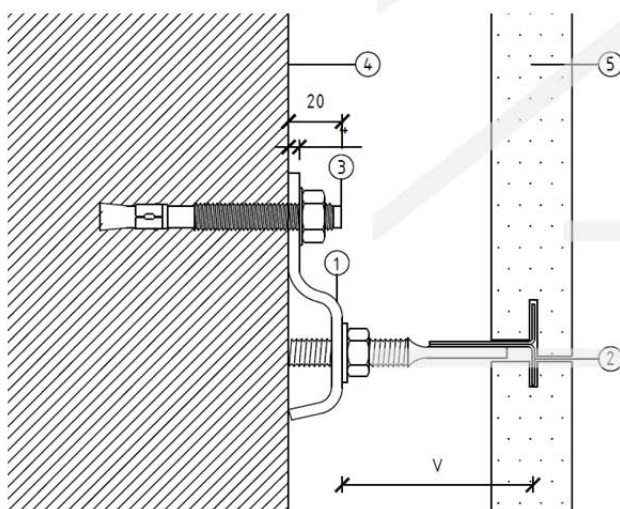
The following table indicates the load values for the most requested products of the series.

For any question please contact our technical department in letstalk@perfilstoneinnova.com

Allowables load values (kN) according to anchor dimensions.

DIAMETER(mm)	MIN LENGTH(mm)	ADJUSTMENT(mm)	LOAD (kN)
8	60	40	0,30
8	100	80	0,10
10	60	40	0,60
10	100	80	0,20
12	60	40	1,00
12	100	80	0,30

REF: REG1101R



Load values are in kN for maximum deformation of 1,4 mm.

These values relate exclusively to the flexural strength of this system made of stainless steel A2/A4.

The values assume a correct fixation of the system to the wall, so it must be the right for each system. However, it is recommended a test on site.

Both manufacturing and testing are carried out according UNE 41957/1:2000

1. Adjustable bow anchor
2. Adjustable element
3. Bolt
4. Wall
5. Cladding