



## PUN1004. Rebar punctual anchor for grooved stone.

It is a punctual anchoring system, made of stainless steel A2/A4 rebar and platen, of varying sizes  
Recommended for any kind of wall, the connection is made by resin or cement mortar.

Simple and efficient installation.

Valid for any kind of facade configuration, it is completely hidden.

Highly recommended for horizontal joint in grooved stone.

The following table indicates the load values for the most requested products of the series.

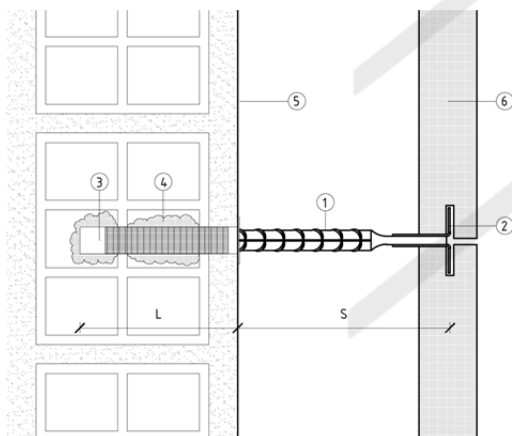
For any question please contact our technical department in

[letstalk@perfilstoneinnova.com](mailto:letstalk@perfilstoneinnova.com)

Allowables load values (kN) according to anchor dimensions and position.

DIAMETER(mm)	LENGTH(mm)	EMBEDMENT(mm)	OVERHANG(mm)	LOAD (kN)
6	100	70	30	0,27
6	120	80	40	0,27
8	120	80	40	0,64
8	150	80	70	0,42
8	180	80	100	0,15
10	130	90	40	0,91
10	150	80	70	0,71
10	180	80	100	0,36
10	200	80	120	0,21
12	180	80	100	0,71
12	200	80	120	0,43
12	250	90	160	0,19

REF: PUN1004



Load values are in kN for maximum deformation of 1,4 mm.

These values relate exclusively to the flexural strength of this system made of stainless steel A2/A4.

The values assume a correct fixation of the system to the wall, so it must be the right for each system. However, it is recommended a test on site. Both manufacturing and testing are carried out according UNE 41957/1:2000

1. Rebar punctual anchor for light cladding
2. Connection element for grooved stone or seen
3. Resin/mortar
4. Adhesive cement
5. Wall
6. Cladding